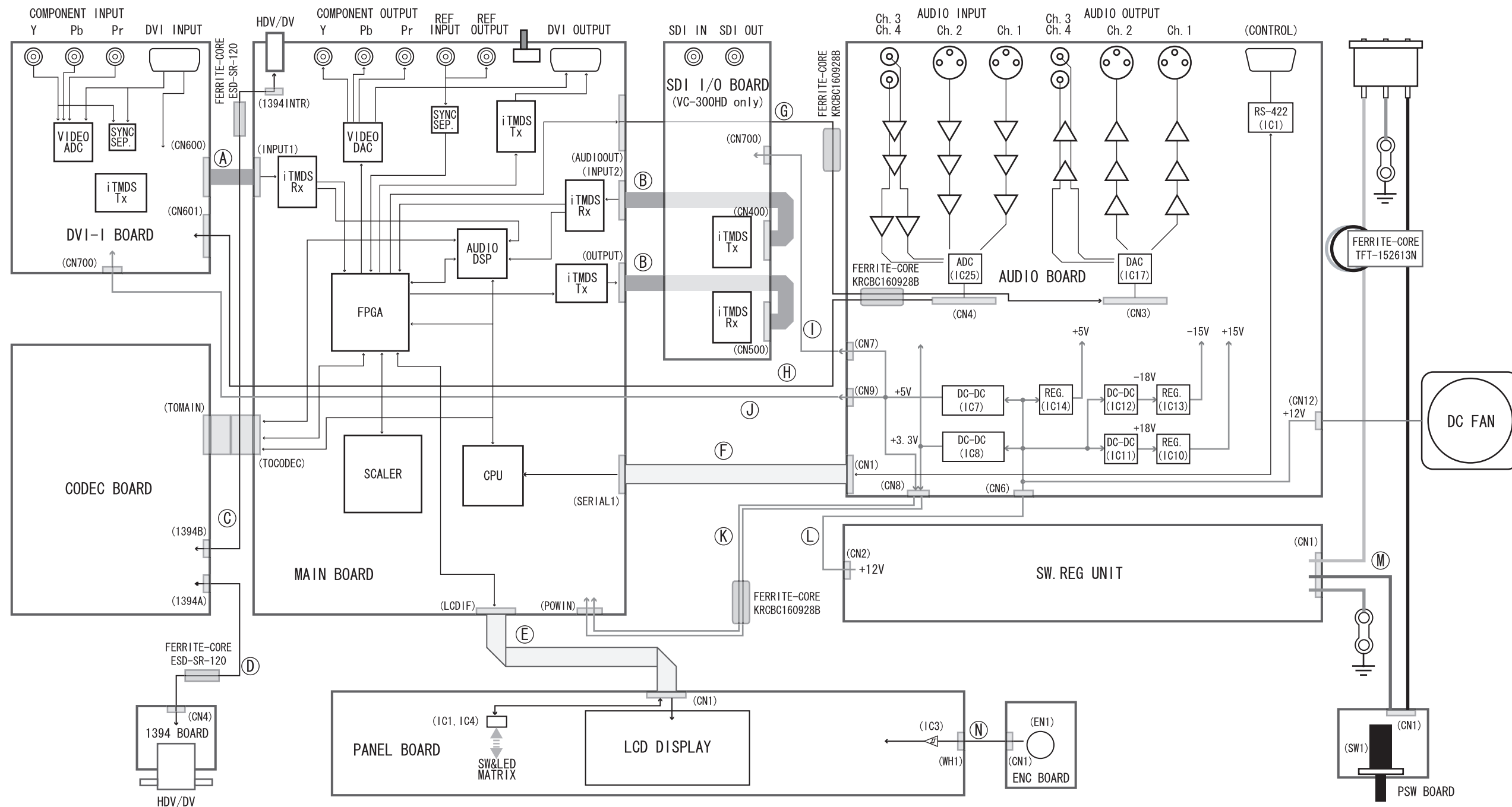


Block/Wiring Diagram



No.	Part Code	Part Name	Description	Q'ty
A	04565956	WIRING	YFB-F106201	1
B	04565967	WIRING	YFB-A106307	2
C	04568734	WIRING	6X300-P1.5-ZHR-ZHR-S	1
D	04568723	WIRING	6X100-P1.5-PHR-ZHR-S	1
E	04569312	BAN CARD	FWR-P=1.00-K-26-170	1
F	04455456	BAN CARD	FWR-P=1.00-K-20-40	1
G	04568712	WIRING	16X250-P2.0-PHR-PHR-S	1
H	04568701	WIRING	14X250-P2.0-PHR-PHR-S	1
I	04568667	WIRING	4X80-P2.5-XHP-XHP	1
J	04568678	WIRING	4X170-P2.5-XHP-XHP	1
K	04568690	WIRING	7X140-P3.96-VHR-VHR	1
L	04568689	WIRING	6X130-P3.96-VHR-VHR	1
M	73457290	WIRING AC ASSY		1
N	04120067	WIRING	5X50-P2.0-PHR-SAN-F	1