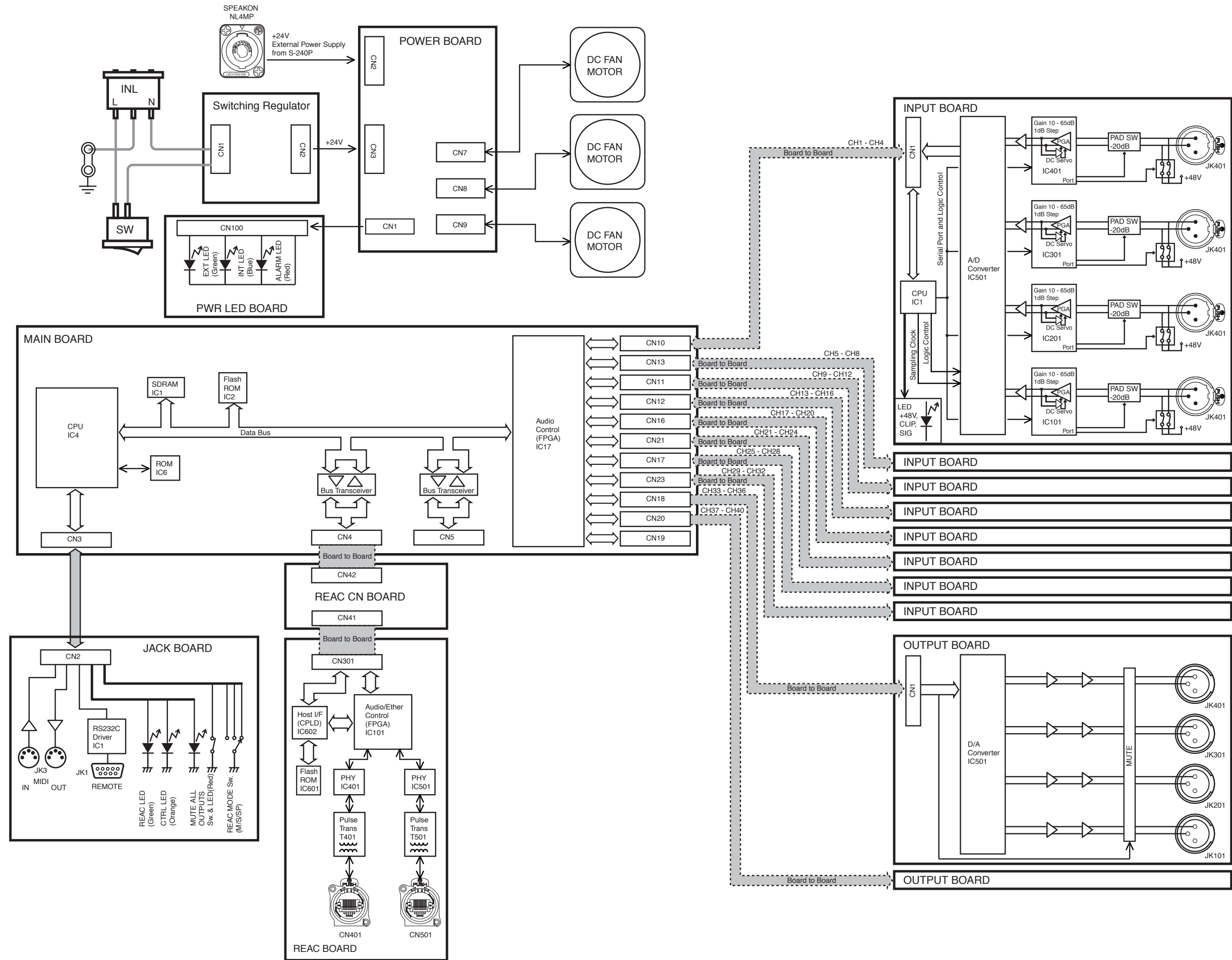
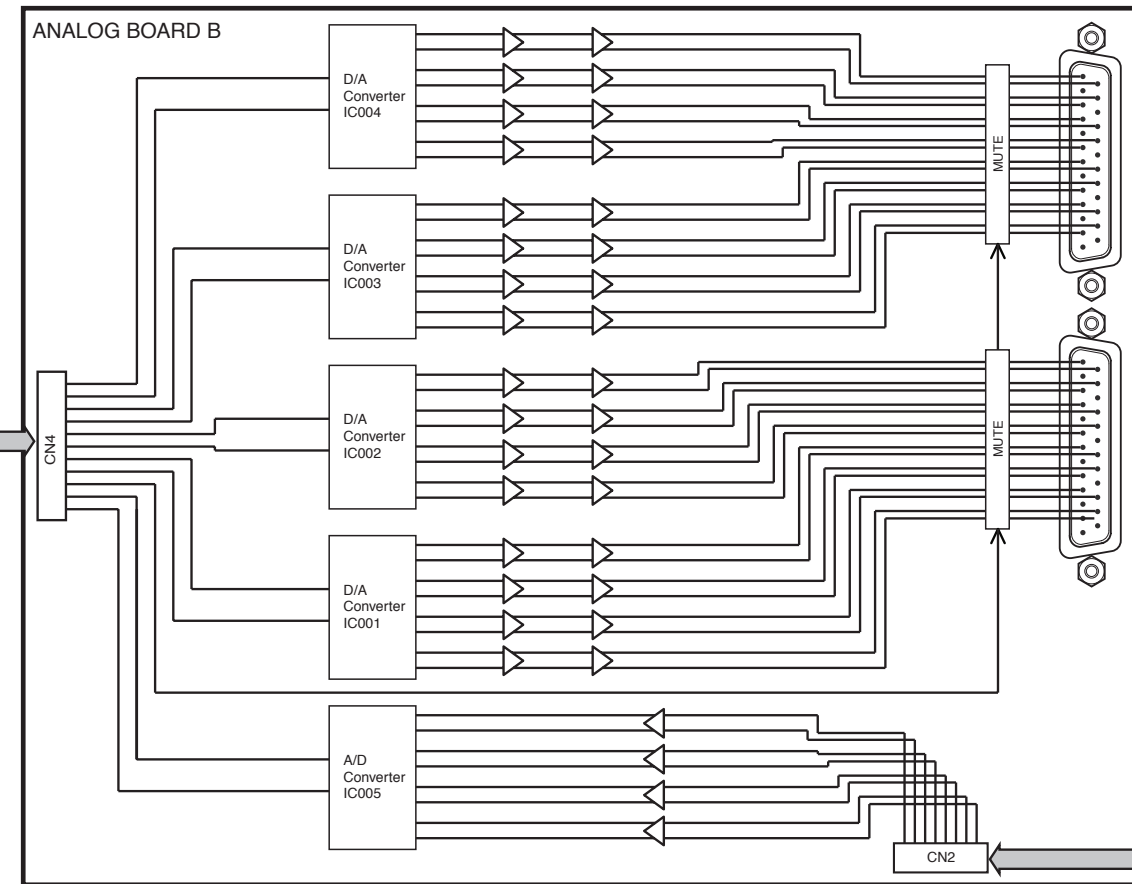
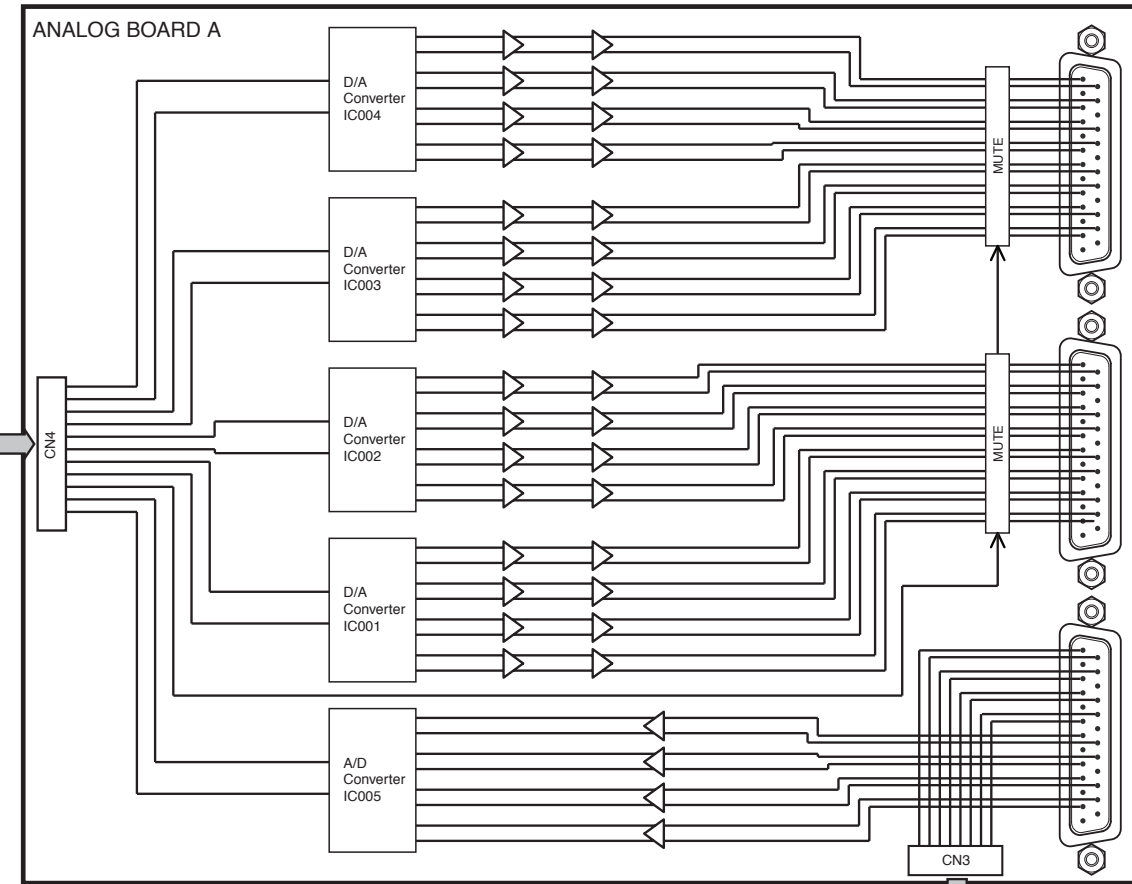
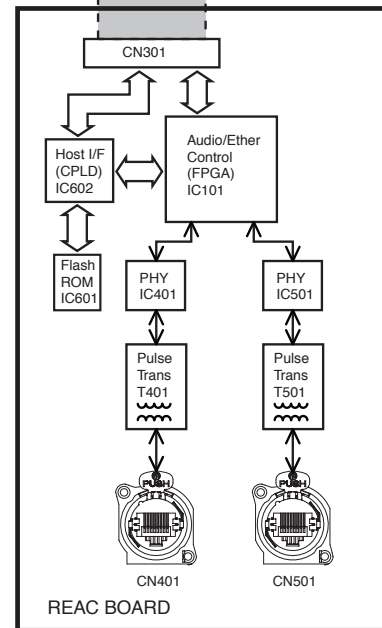
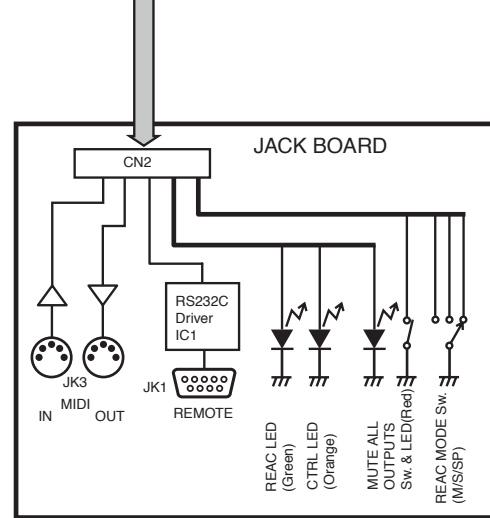
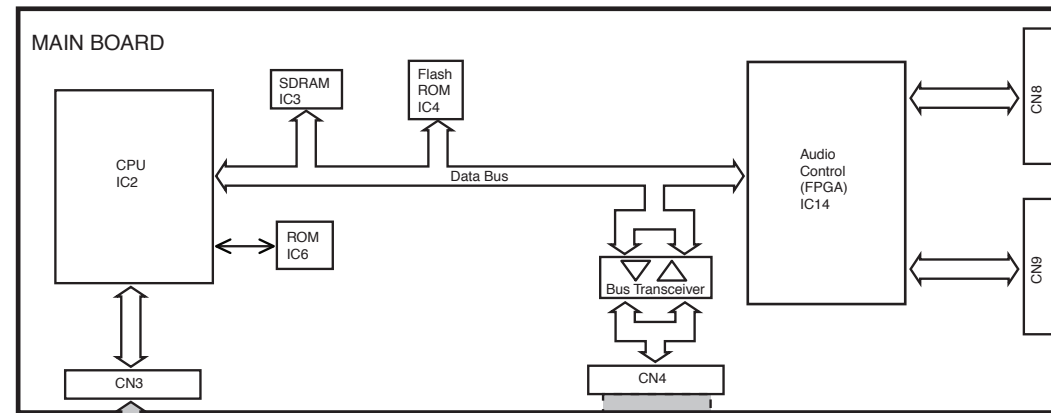
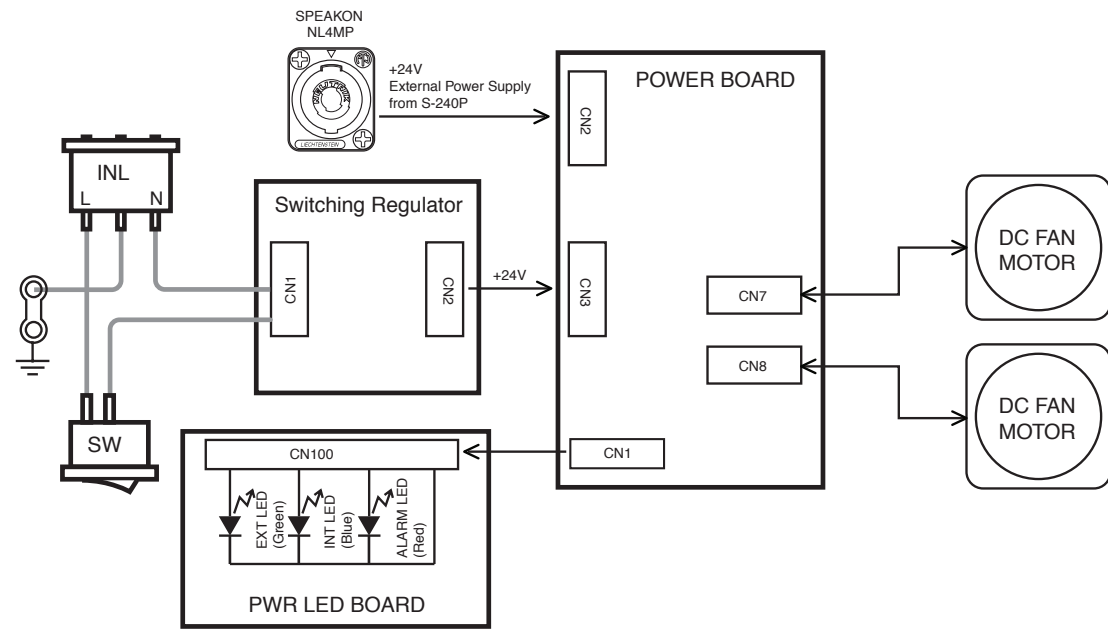


BLOCK DIAGRAM



BLOCK DIAGRAM



CH5-8

BLOCK DIAGRAM

The power supply is supplied by way of the REMOTE cable connected with S4000S or S4000H.

